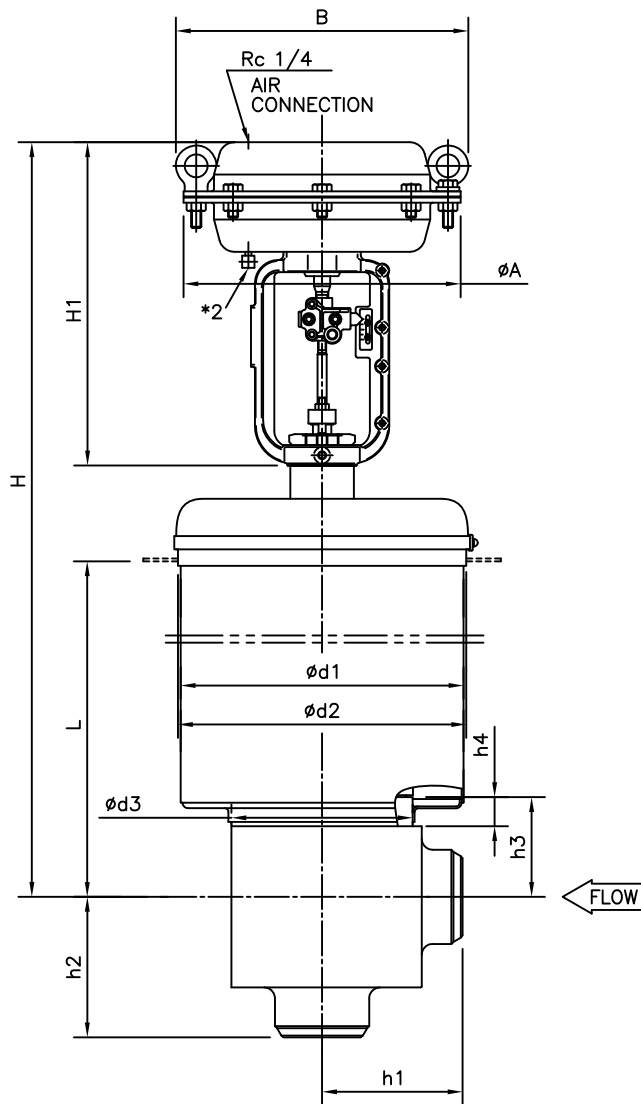
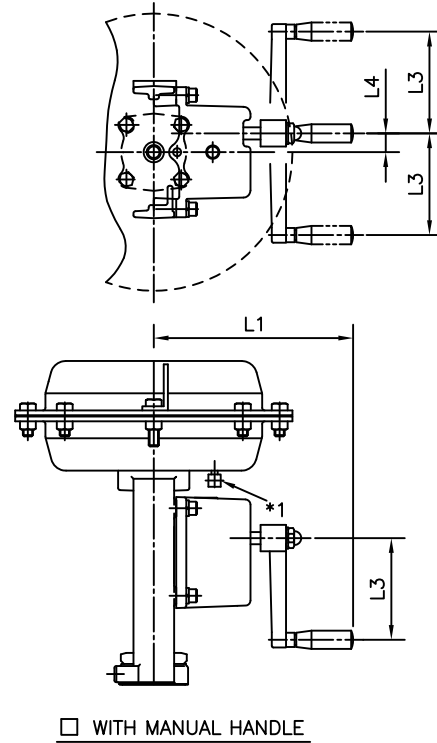


ANGLE VALVE DIRECT ACTION



*1 AIR EXHAUST POSITION FOR $\phi 218$ &270.
 *2 AIR EXHAUST POSITION FOR $\phi 350$ &450.



DIMENSIONS

UNIT : mm

VALVE SIZE CODE No.	h1	h2	h3	h4	d1	d2	d3	H				ACTUATOR						
								SIZE		WITH MANUAL HANDLE			CODE No.					
								A	B	H1	L1	L3		L4				
93 □ 1 1/2" (40A)	125	125	120	45	309	320	165	□ L=600	□ L=700	□ L=800	□ L=900	□ 218	231	297	196	100	18.5	5221LA
								1100	1200	1300	1400	□ 270	283	395	230	100	27.5	5227LA
								1135	1235	1335	1435	□ 350	367	430	230	100	27.5	5235LA
								1200	1300	1400	1500	□ 450	472	495	336	160	32	524SLA
02 □ 2" (50A)	125	125	120	45	309	320	165	1100	1200	1300	1400	□ 270	283	395	230	100	27.5	5227LA
								1135	1235	1335	1435	□ 350	367	430	230	100	27.5	5235LA
								1200	1300	1400	1500	□ 450	472	495	336	160	32	524SLA
03 □ 3" (80A)	155	155	110	45	309	320	200	1100	1200	1300	1400	□ 270	283	395	230	100	27.5	5227LA
								1135	1235	1335	1435	□ 350	367	430	230	100	27.5	5235LA
								1200	1300	1400	1500	□ 450	472	495	336	160	32	524SLA
04 □ 4" (100A)	175	175	140	45	409	420	260	1200	1300	1400	1500	□ 450	472	495	336	160	32	524SLA

*FLANGE FOLLOEING TO STANDARD WHICH IS DESCRIBED ON SPECIFICATION SHEET.

NOTE:

DRAWING No.

E-550A-5200LA-D-N
S

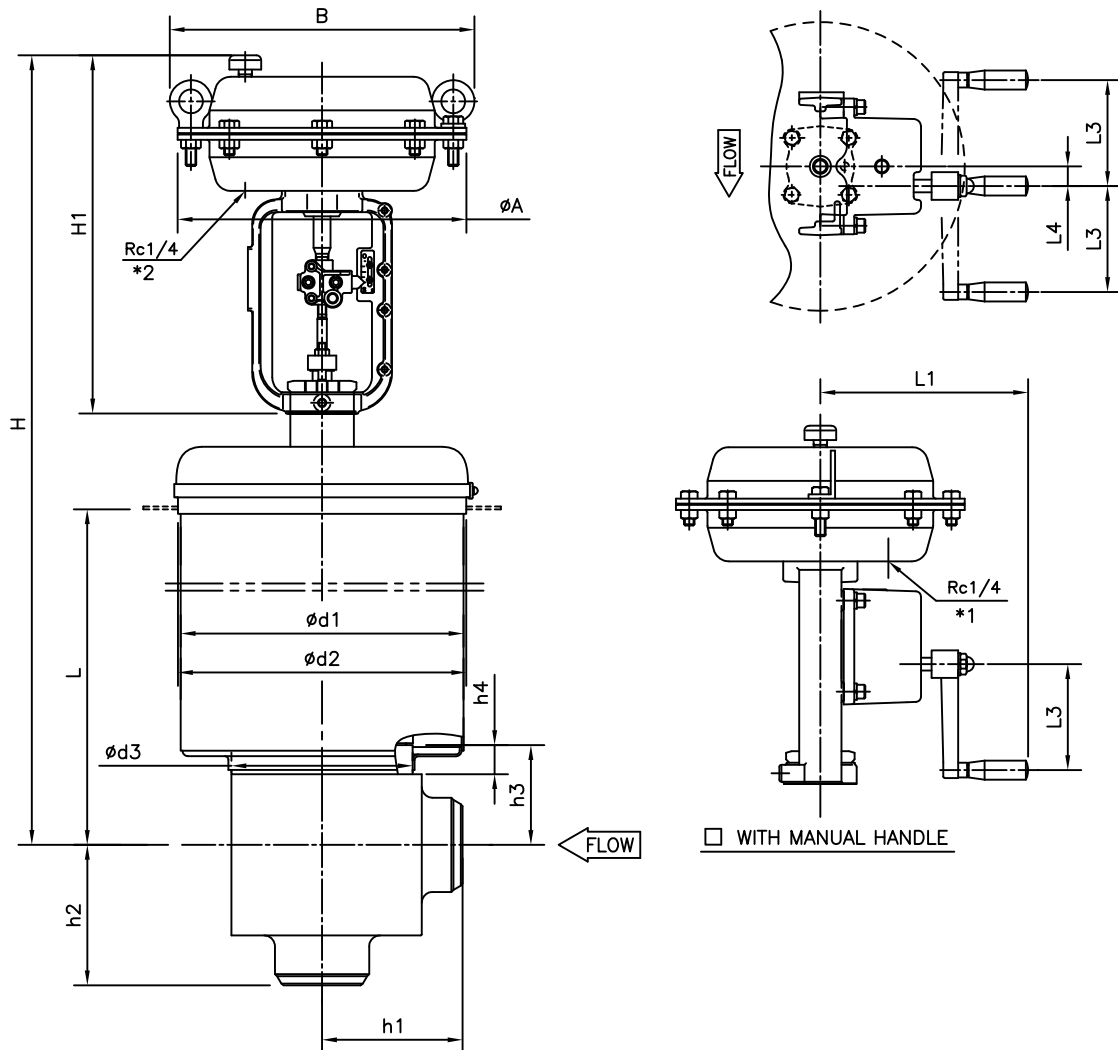
REV.

B

KOSO

ANGLE VALVE REVERSE ACTION

*1 AIR EXHAUST POSITION FOR $\phi 218$ &270.
 *2 AIR EXHAUST POSITION FOR $\phi 350$ &450.



DIMENSIONS

UNIT : mm

VALVE SIZE CODE No.	h1	h2	h3	h4	d1	d2	d3	H				ACTUATOR						
								SIZE				WITH MANUAL HANDLE			CODE No.			
								L=600	L=700	L=800	L=900	A	B	H1		L1	L3	L4
93 □ 1 1/2" (40A)	125	125	120	45	309	320	165	1040	1140	1240	1340	□ 218	231	297	196	100	18.5	5221LA
								1140	1240	1340	1440	□ 270	283	395	230	100	27.5	5227LA
								1175	1275	1375	1475	□ 350	367	430	230	100	27.5	5235LA
								1240	1340	1440	1540	□ 450	472	495	336	160	32	524SLA
02 □ 2" (50A)	125	125	120	45	309	320	165	1140	1240	1340	1440	□ 270	283	395	230	100	27.5	5227LA
								1175	1275	1375	1475	□ 350	367	430	230	100	27.5	5235LA
								1240	1340	1440	1540	□ 450	472	495	336	160	32	524SLA
								1140	1240	1340	1440	□ 270	283	395	230	100	27.5	5227LA
03 □ 3" (80A)	155	155	110	45	309	320	200	1175	1275	1375	1475	□ 350	367	430	230	100	27.5	5235LA
								1240	1340	1440	1540	□ 450	472	495	336	160	32	524SLA
								1140	1240	1340	1440	□ 270	283	395	230	100	27.5	5227LA
								1175	1275	1375	1475	□ 350	367	430	230	100	27.5	5235LA
04 □ 4" (100A)	175	175	140	45	409	420	260	1240	1340	1440	1540	□ 450	472	495	336	160	32	524SLA
								1240	1340	1440	1540	□ 450	472	495	336	160	32	524SLA

*FLANGE FOLLOEING TO STANDARD WHICH IS DESCRIBED ON SPECIFICATION SHEET.

NOTE:

DRAWING No.

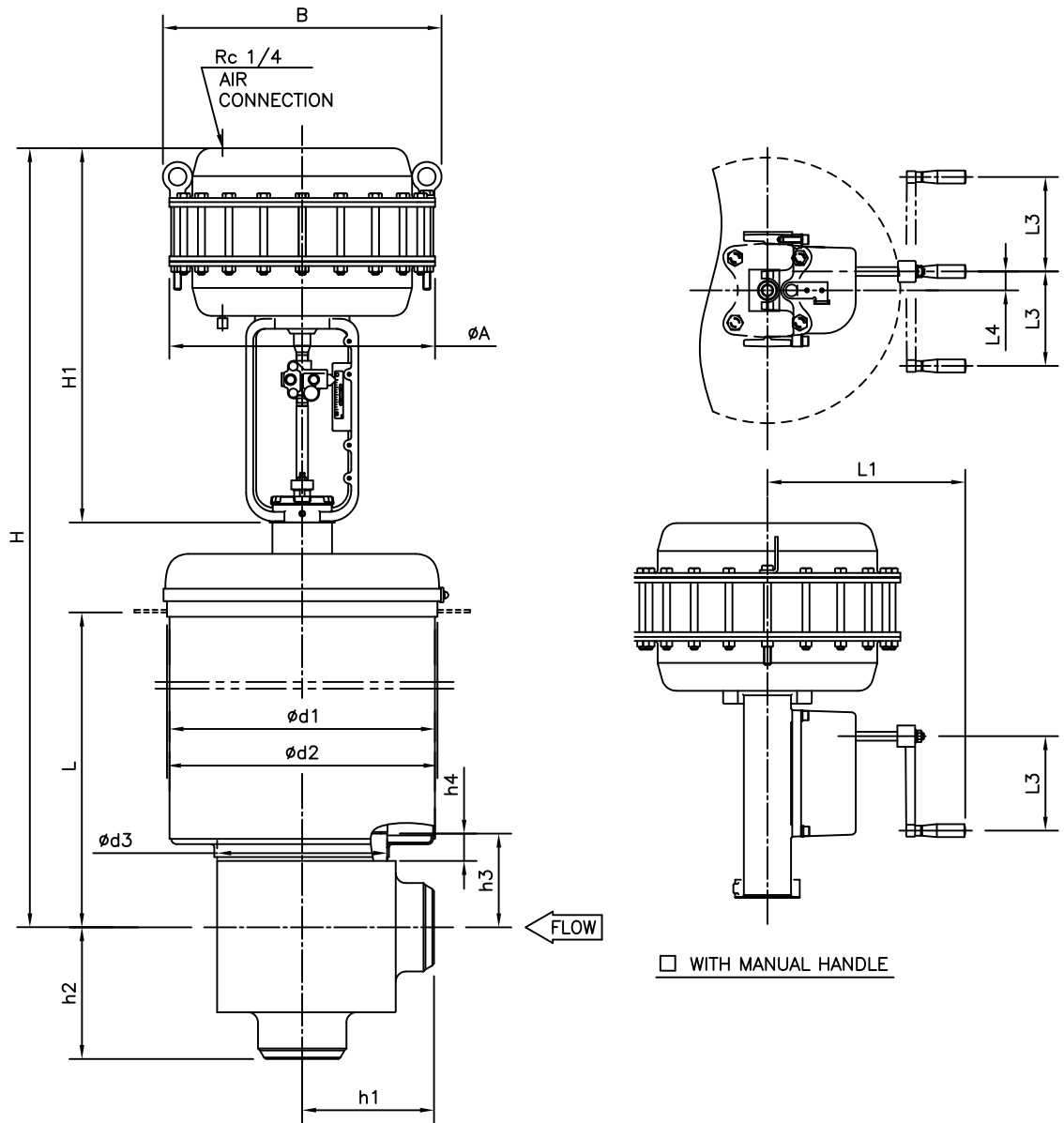
E-550A-5200LA-R-N
S

REV.

B

KOSO

ANGLE VALVE DIRECT ACTION



DIMENSIONS

UNIT : mm

VALVE SIZE CODE No.	h1	h2	h3	h4	d1	d2	d3	H				ACTUATOR						
												SIZE A	B	H1	WITH MANUAL HANDLE			CODE No.
								L=600	L=700	L=800	L=900				L1	L3	L4	
04 □ (100A)	175	175	140	45	409	420	260	1340	1440	1540	1640	□450	472	635	336	160	32	524LLA
06 □ (150A)	240	240	180	45	409	420	320	1330	1430	1530	1630	□450	472	635	336	160	32	524LLA

NOTE:

DRAWING No.

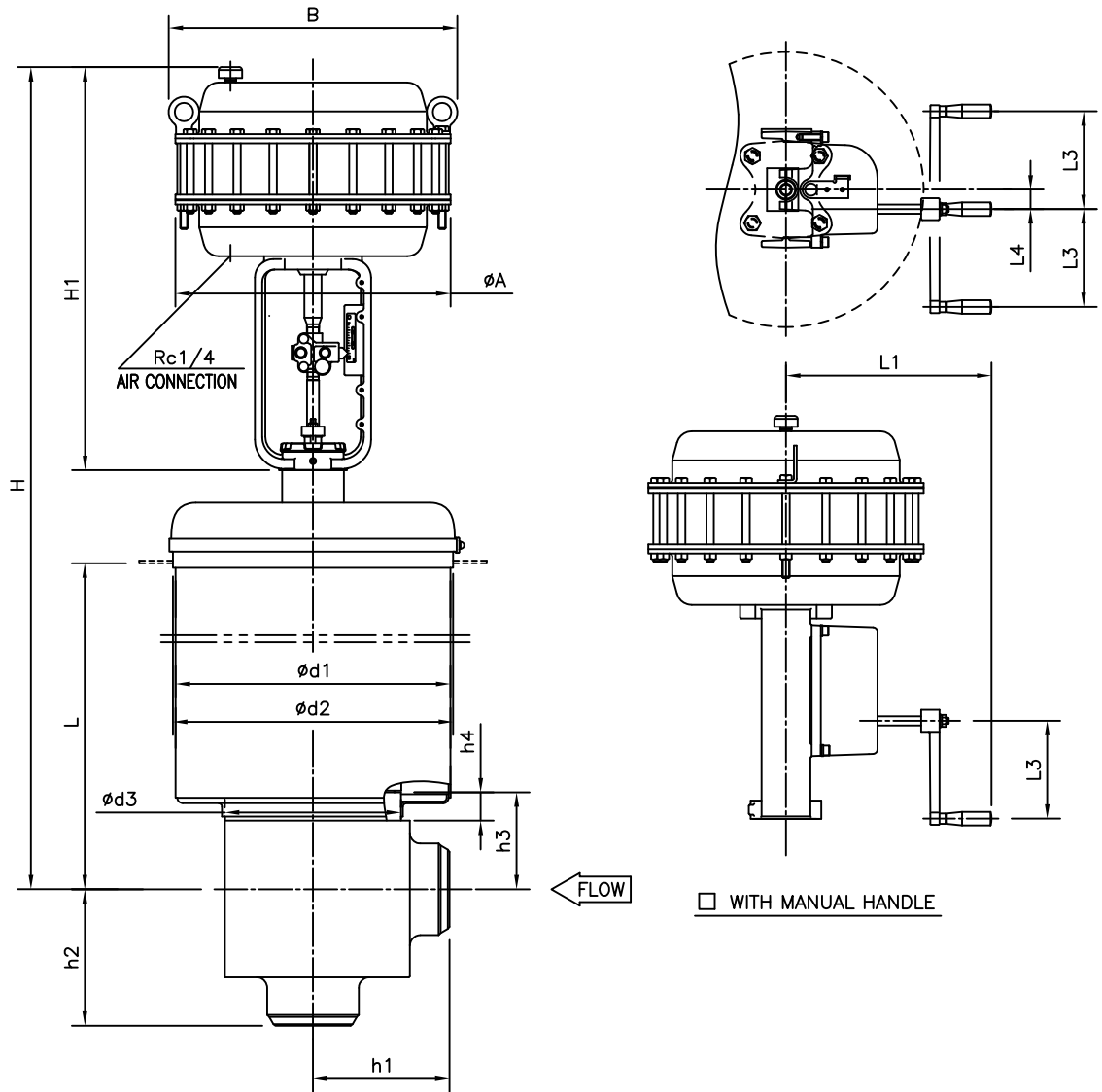
E-550A-524LLA-D-^N_S

REV.

B

KOSO

ANGLE VALVE REVERSE ACTION



DIMENSIONS

UNIT : mm

VALVE SIZE CODE No.	h1	h2	h3	h4	d1	d2	d3	H				ACTUATOR						
												SIZE A	B	H1	WITH MANUAL HANDLE			CODE No.
								L=600	L=700	L=800	L=900				L1	L3	L4	
04 □ (100A)	175	175	140	45	409	420	260	1380	1480	1580	1680	□450	472	675	336	160	32	524LLA
06 □ (150A)	240	240	180	45	409	420	320	1370	1470	1570	1670	□450	472	675	336	160	32	524LLA

NOTE:

DRAWING No.

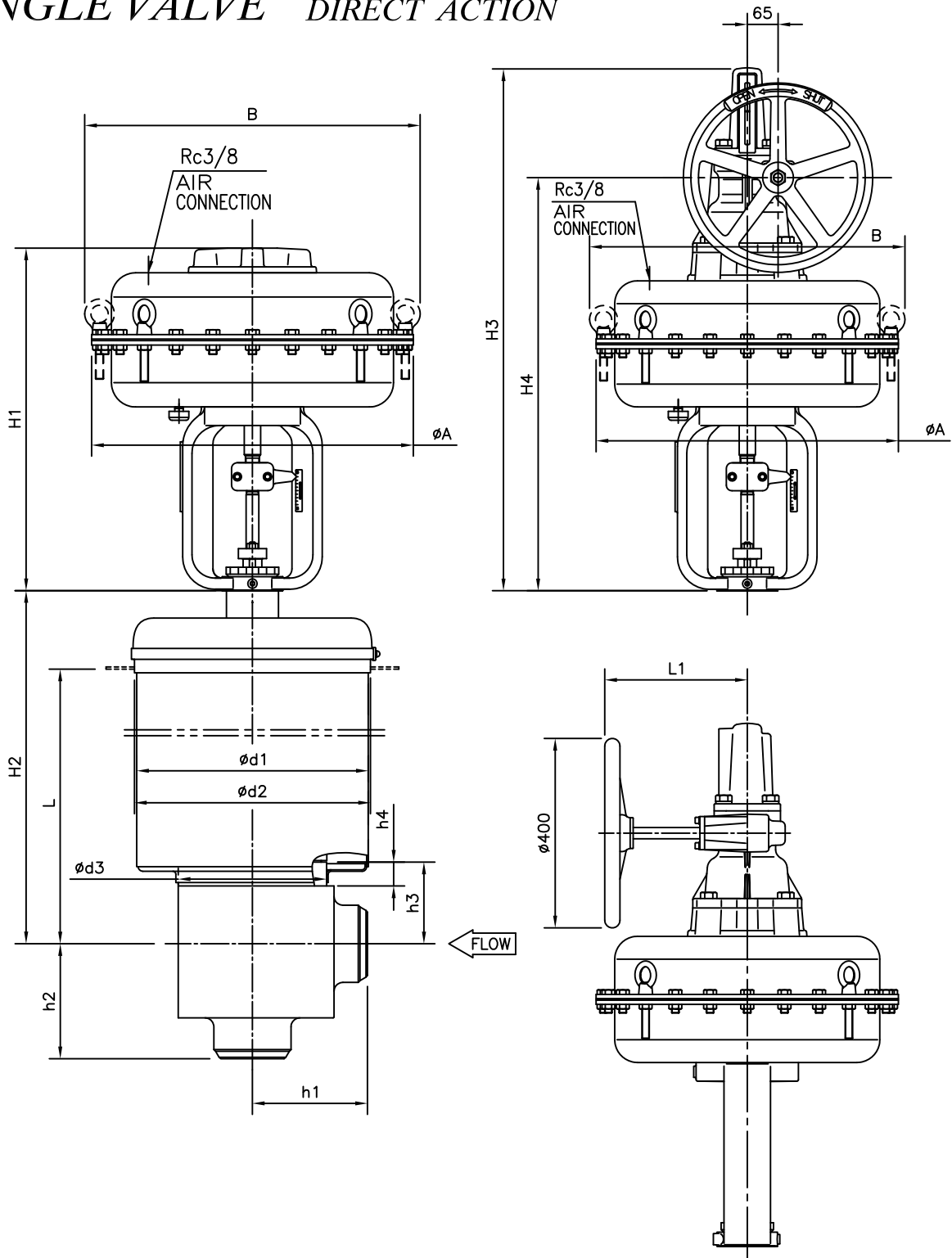
E-550A-524LLA-R-^N/_S

REV.

B

KOSO

ANGLE VALVE DIRECT ACTION



DIMENSIONS

UNIT : mm

VALVE SIZE CODE No.	h1	h2	h3	h4	d1	d2	d3	H2				ACTUATOR						
								SIZE				WITH MANUAL HANDLE						
								L=600	L=700	L=800	L=900	A	B	H1	L1	H3	H4	CODE No.
04 □ (100A)	175	175	140	45	409	420	260	705	805	905	1005	□650	678	717	302	1117	885	526SLA
06 □ (150A)	240	240	180	45	409	420	320	695	795	895	995	□650	678	717	302	1117	885	526SLA

NOTE:

DRAWING No.

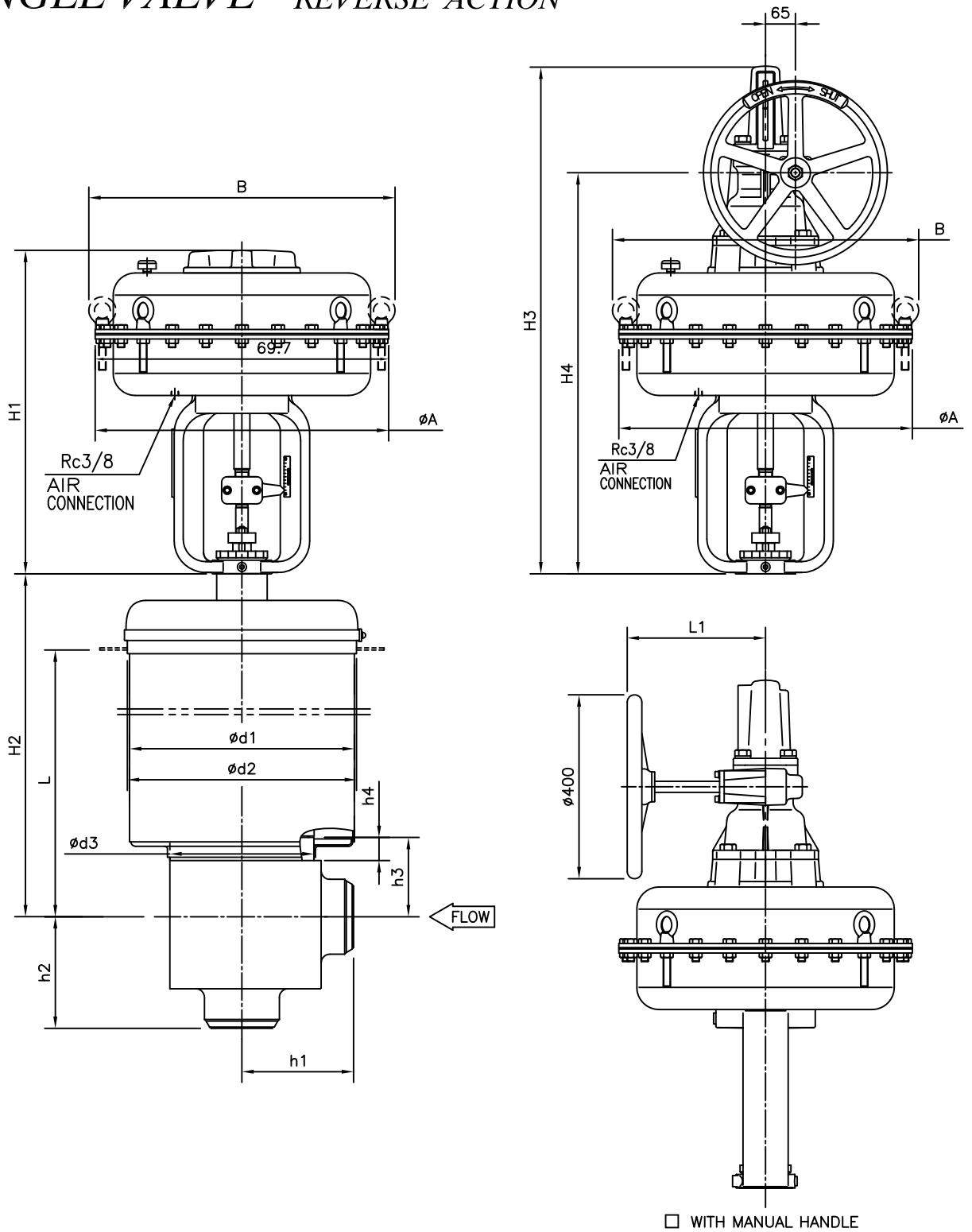
E-550A-526SLA-D-N
S

REV.

B

KOSO

ANGLE VALVE REVERSE ACTION



WITH MANUAL HANDLE

UNIT : mm

DIMENSIONS

VALVE SIZE CODE No.	h1	h2	h3	h4	d1	d2	d3	H2				ACTUATOR						
												SIZE		WITH MANUAL HANDLE				
								<input type="checkbox"/> L=600	<input type="checkbox"/> L=700	<input type="checkbox"/> L=800	<input type="checkbox"/> L=900	A	B	H1	L1	H3	H4	CODE No.
04 <input type="checkbox"/> 4" (100A)	175	175	140	45	409	420	260	705	805	905	1005	<input type="checkbox"/> 650	678	717	302	1117	885	526SLA
06 <input type="checkbox"/> 6" (150A)	240	240	180	45	409	420	320	695	795	895	995	<input type="checkbox"/> 650	678	717	302	1117	885	526SLA

NOTE:

DRAWING No.

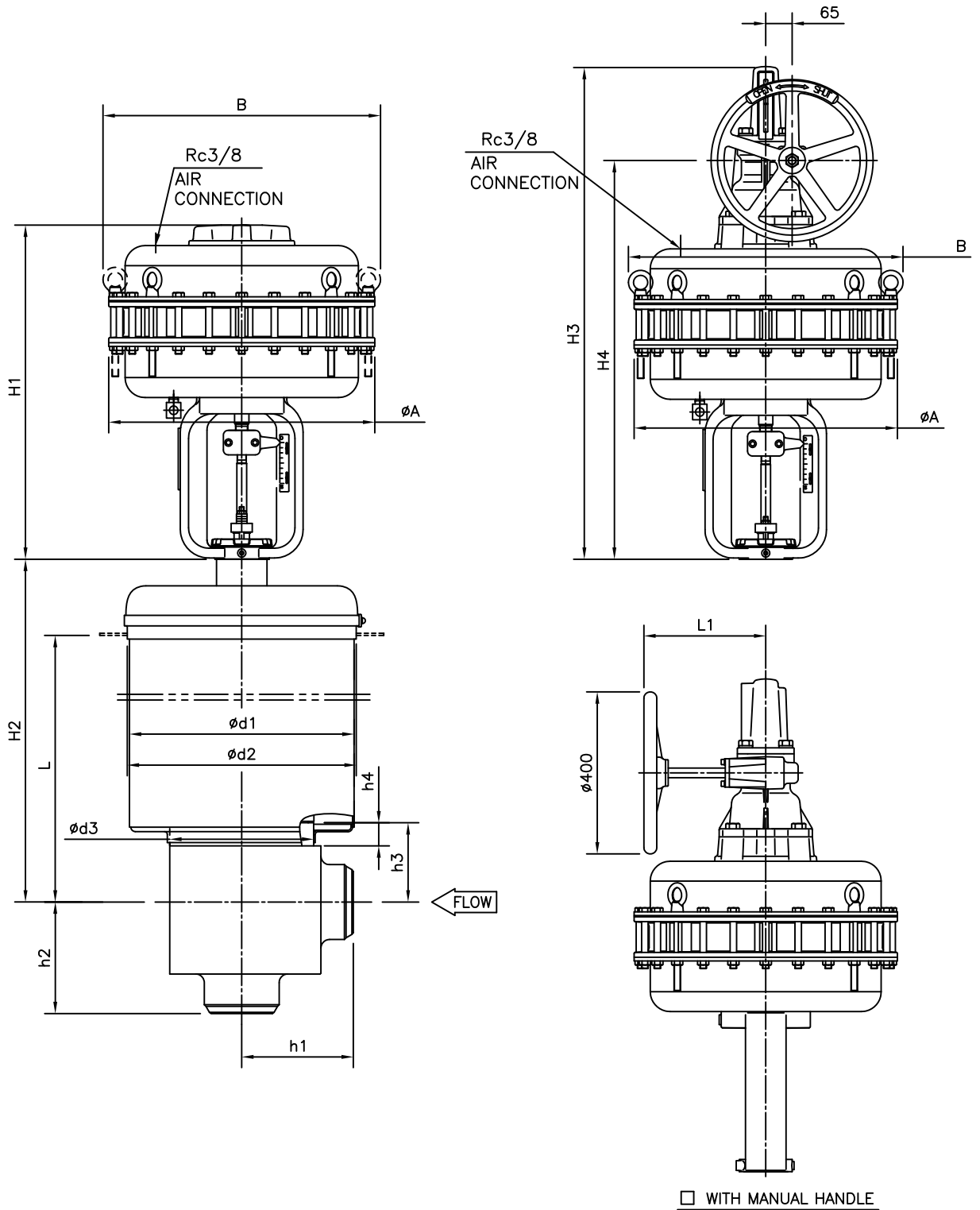
E-550A-526SLA-R-N
S

REV.

B

KOSO

ANGLE VALVE DIRECT ACTION



DIMENSIONS

UNIT : mm

VALVE SIZE CODE No.	h1	h2	h3	h4	d1	d2	d3	H2				ACTUATOR					
												SIZE		WITH MANUAL HANDLE			
								<input type="checkbox"/> L=600	<input type="checkbox"/> L=700	<input type="checkbox"/> L=800	<input type="checkbox"/> L=900	A	B	H1	L1	H3	H4
08 <input type="checkbox"/> 8" (200A)				45							<input type="checkbox"/> 650	678	817	302	1217	985	526LLA

NOTE:

DRAWING No.

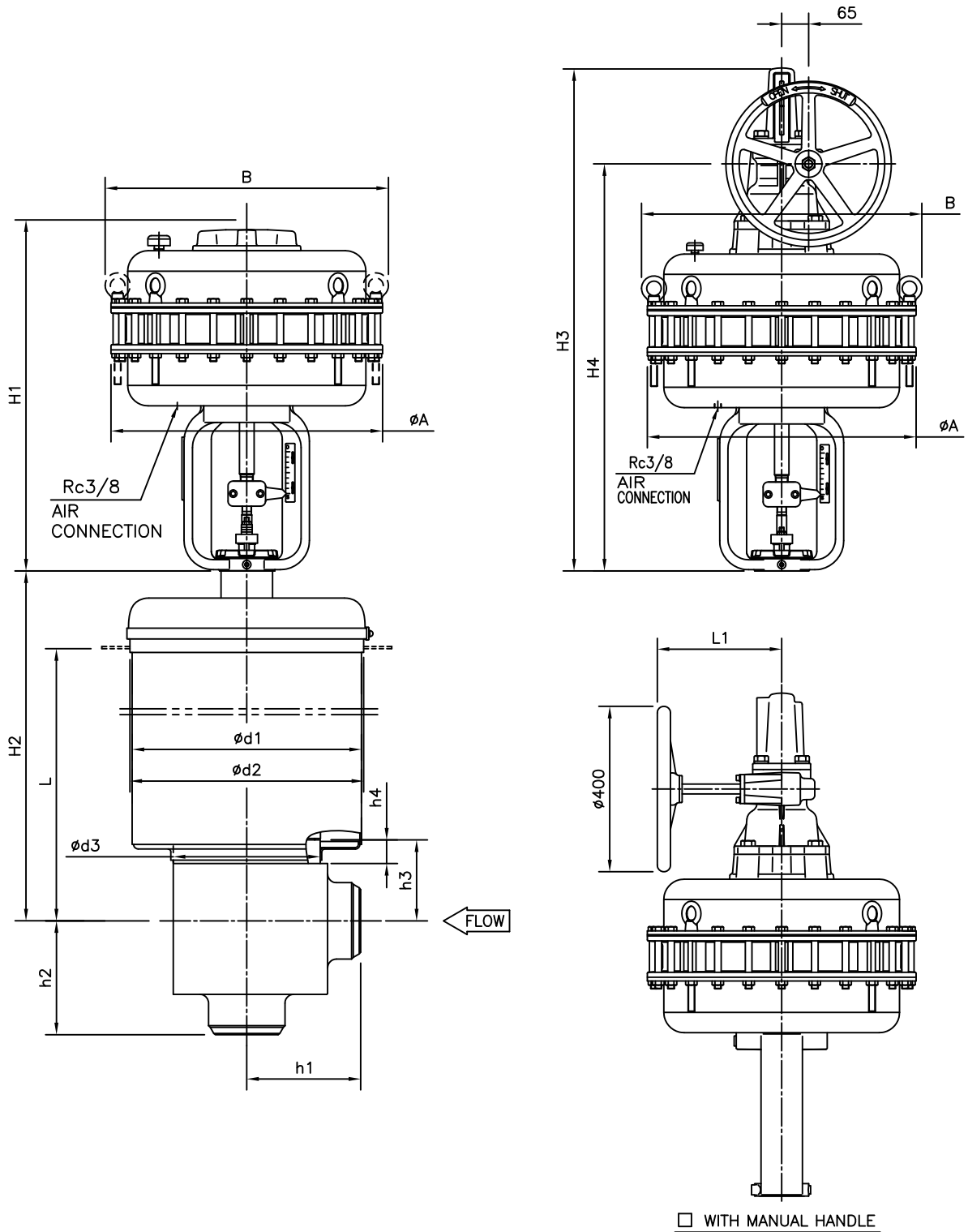
E-550A-526LLA-D-^N/_S

REV.

B

KOSO

ANGLE VALVE REVERSE ACTION



DIMENSIONS

UNIT : mm

VALVE SIZE CODE No.	h1	h2	h3	h4	d1	d2	d3	H2				ACTUATOR					
												SIZE		WITH MANUAL HANDLE			
								<input type="checkbox"/> L=600	<input type="checkbox"/> L=700	<input type="checkbox"/> L=800	<input type="checkbox"/> L=900	A	B	H1	L1	H3	H4
08 <input type="checkbox"/> 8" (200A)				45							<input type="checkbox"/> 650	678	817	302	1217	985	526LLA

NOTE:

DRAWING No.

E-550A-526LLA-R-N
S

REV.

B

KOSO